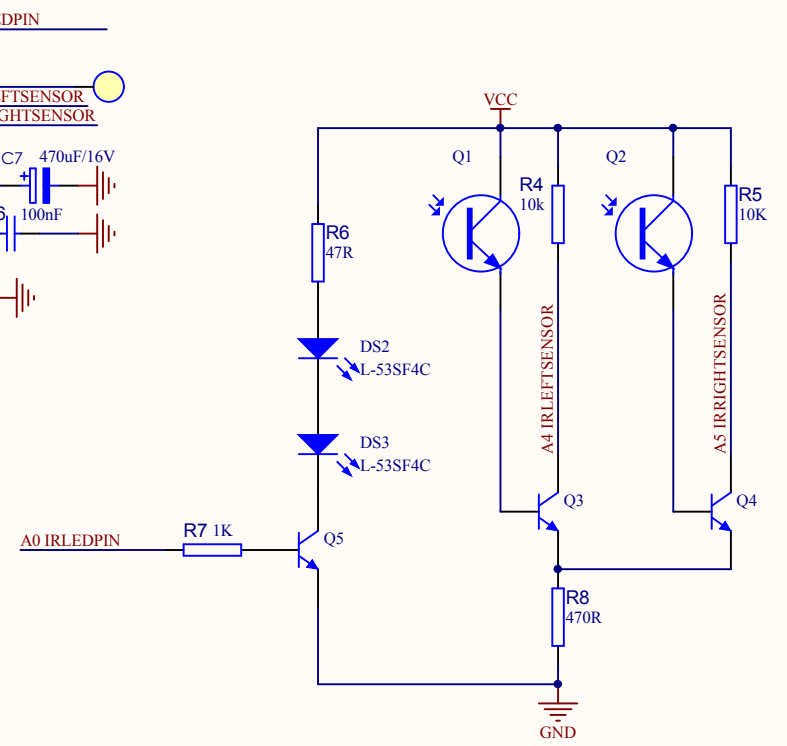
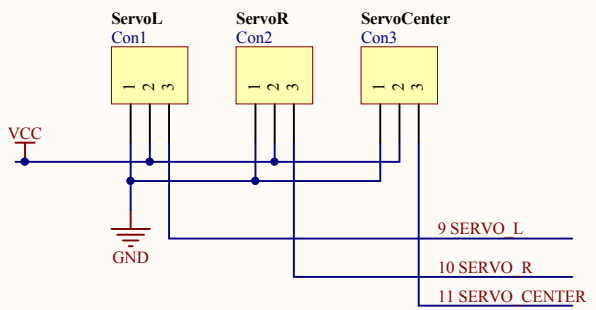
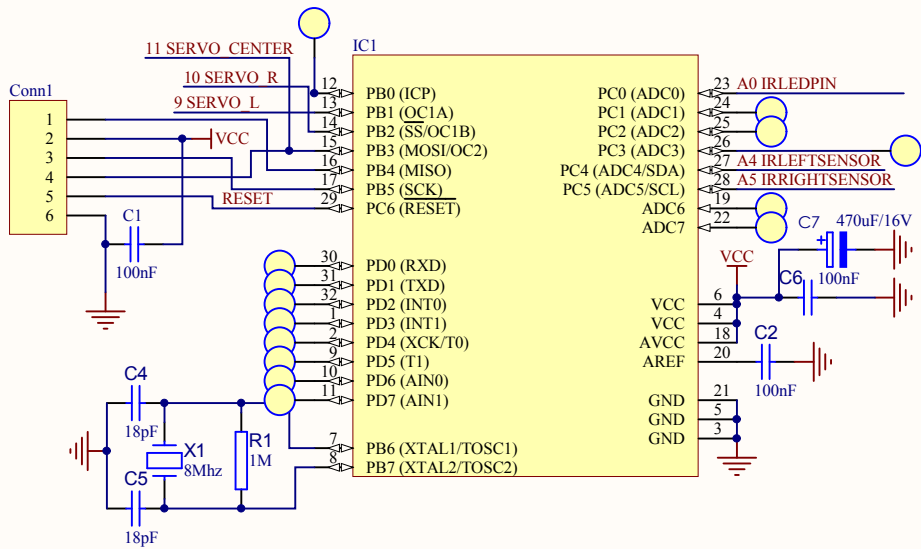
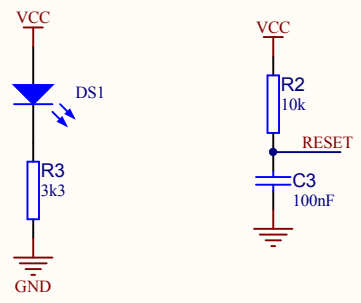
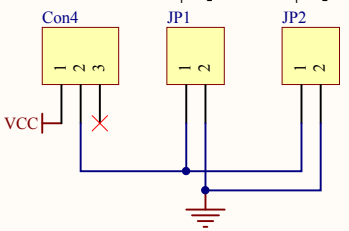
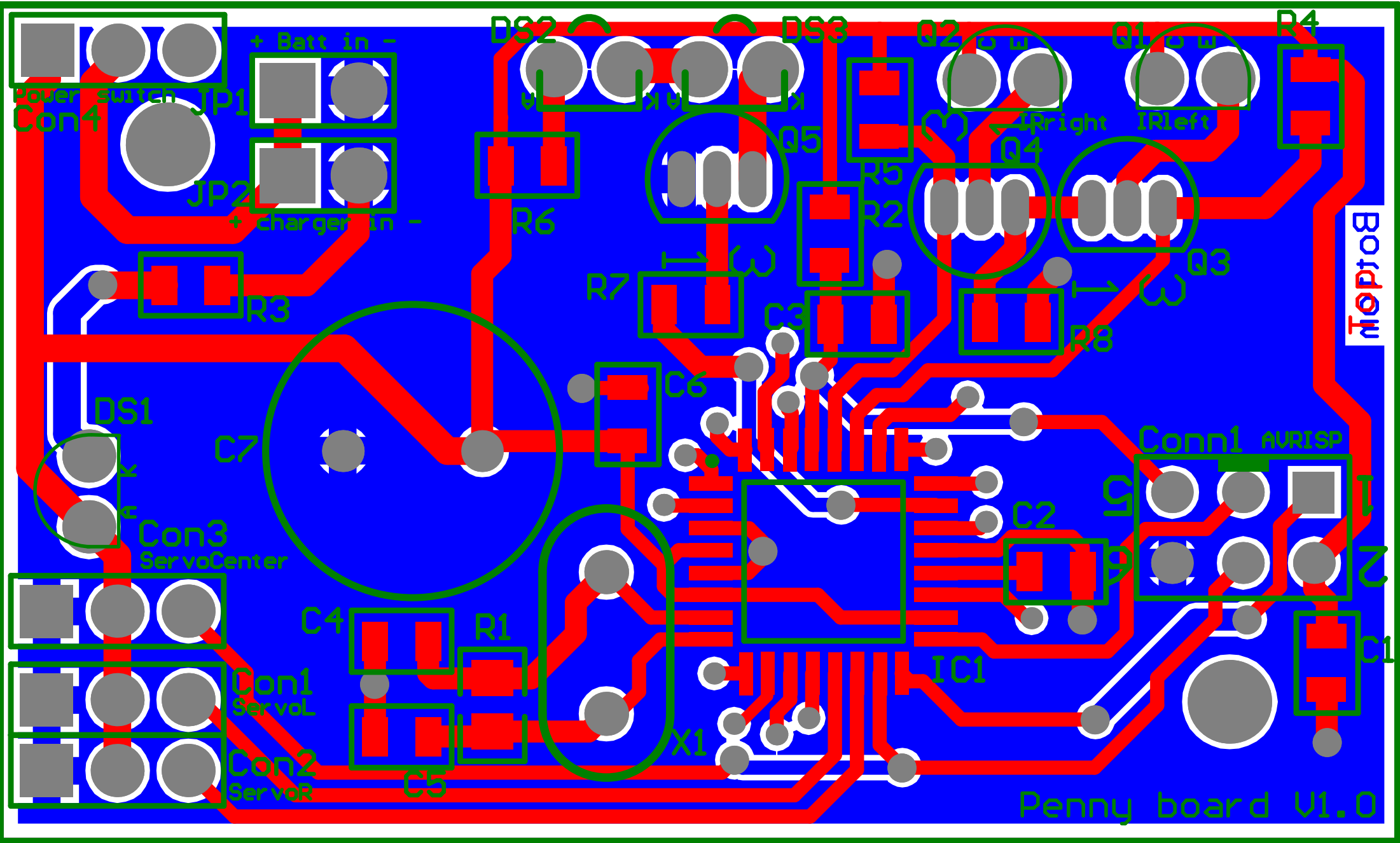


Swich mounted to this connector footprint



Title		
Size	Number	Revision
A4		
Date:	16-1-2014	Sheet of
File:	E:\Dennis\penny.SchDoc	Drawn By:



Bottoju

Penny board V1.0